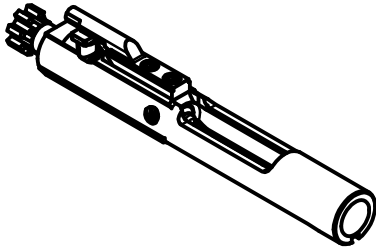
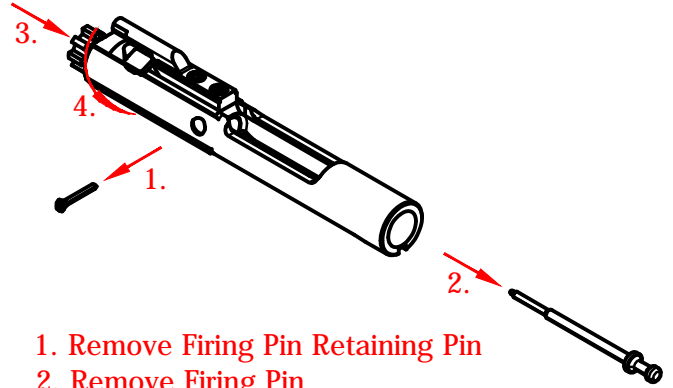


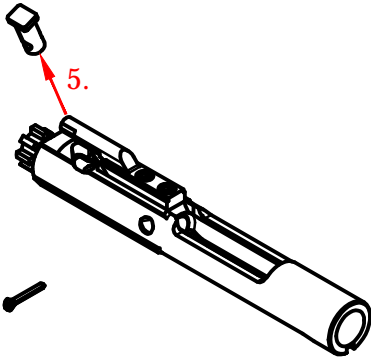
CAM PIN REPLACEMENT INSTRUCTIONS



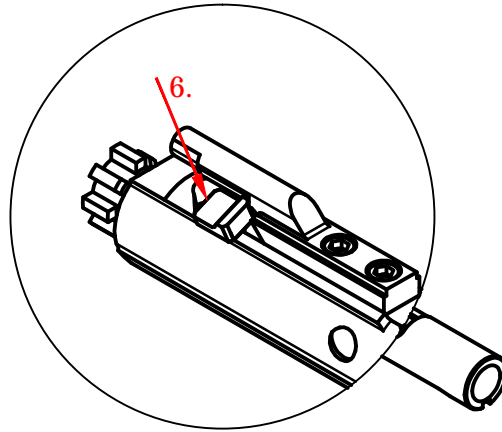
Starting Condition



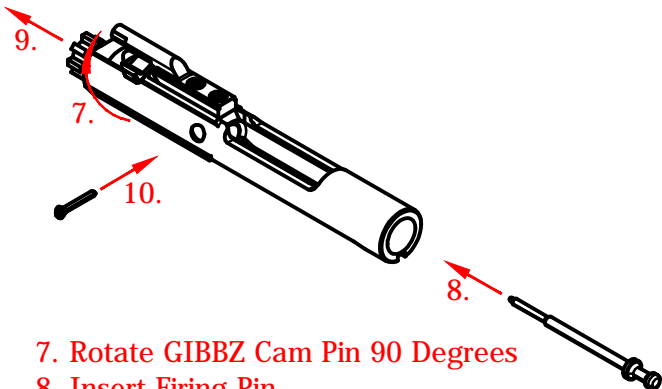
1. Remove Firing Pin Retaining Pin
2. Remove Firing Pin
3. Push Bolt to the Rear
4. Rotate Cam Pin 90 degrees



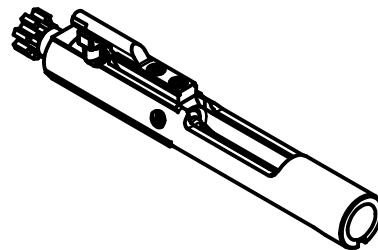
5. Pull out Standard Cam Pin



6. Insert GIBBZ Arms Enhanced Cam Pin as shown.



7. Rotate GIBBZ Cam Pin 90 Degrees
8. Insert Firing Pin
9. Pull Bolt to the Front
10. Insert Firing Pin Retaining Pin



Finished Condition



GIBBZ ARMS
1660 N Rosmont STE 105
Mesa, AZ 85205
www.gibbzarms.com
www.shop.gibbzarms.com
sales@gibbzarms.com